

NOVATECH

ITP250x50-Ø20-SH80A convex

EAN 4031582366273

Wheel center made of Aluminum, Tread: Polyurethane, casted, precision ball bearing



BETTER MOBILITY. BETTER LIFE.

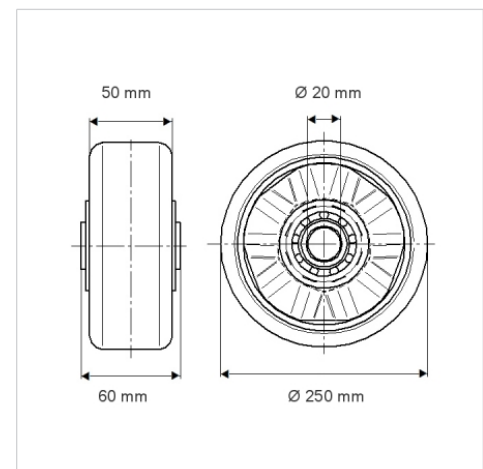


Picture may differ from original product

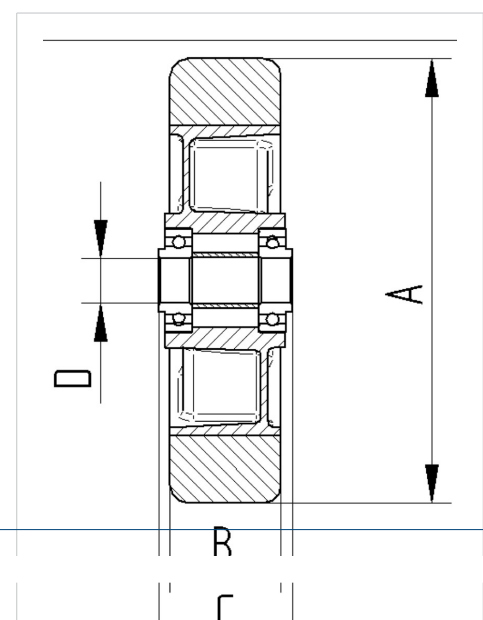
Technical Data

Wheel diameter	9.84 in
Wheel width	1.97 in
Axle Hole-Ø	0.79 in
Hub length	2.36 in
Temperature	+ 14 / + 140 °F
Standard	EN 12532
Weight	4.808 lbs
Hardness of tread	Shore A 80
Load capacity (dynamic)	1765 lbs
Load capacity (static)	3525 lbs

Dimensions



Structure & Mounting



Advantages at a glance

Roll performance	● ● ● ○ ○
Movement noise	● ● ● ○ ○
Attrition	● ● ● ○ ○
Corrosion resistance	● ● ● ○ ○