

# DELTA

## 3641ITP200P63 Conv

EAN 4031582366372

Swivel caster with directional lock, housing made of heavy pressed steel, bright zinc plated, blue passivated, precision ball bearing swivel head, sealed, wheel axle with nut, plate fitting. Wheel center made of Aluminum, Tread: Polyurethane, casted, precision ball bearing



BETTER MOBILITY. BETTER LIFE.

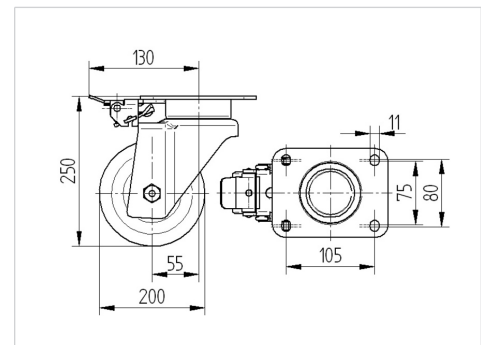


Picture may differ from original product

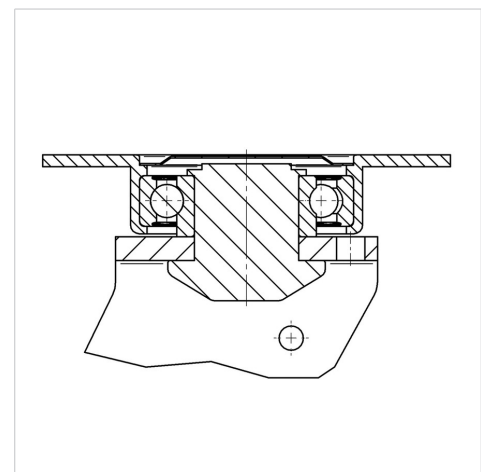
### Technical Data

Wheel diameter	7.87 in
Wheel width	1.97 in
Caster width	3.70 in
Plate size	5.39 x 4.13 in
Plate hole centers	4.13 x 3.15/2.95 in
Plate hole	0.43 in
Dome-Ø	3.70 in
Offset	2.17 in
Swivel Interference	12.20 in
Overall height	9.84 in
Temperature	+ 14 / + 140 °F
Standard	EN 12532
Weight	7.714 lbs
Swivel Radius	6.10 in
Hardness of tread	Shore A 92
Load capacity (dynamic)	1325 lbs
Load capacity (static)	2645 lbs

### Dimensions



### Structure & Mounting



### Advantages at a glance

Roll performance	● ● ● ○ ○
Movement noise	● ● ● ○ ○
Attrition	● ● ● ● ○
Corrosion resistance	● ● ● ○ ○

# DELTA

3641ITP200P63 Conv

EAN 4031582366372



BETTER MOBILITY. BETTER LIFE.

## Structure & Mounting

