

NOVATECH

ETP080x70-Ø20 HL70

EAN 4031582318623

Wheel center made of steel, Tread: Polyurethane, casted, precision ball bearing.

Load capacities on a smooth, even surface.



BETTER MOBILITY. BETTER LIFE.

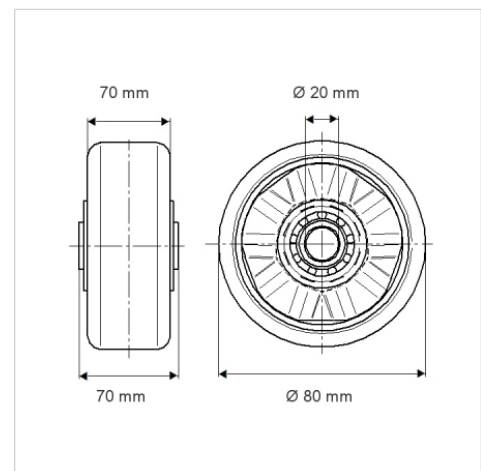


Picture may differ from original product

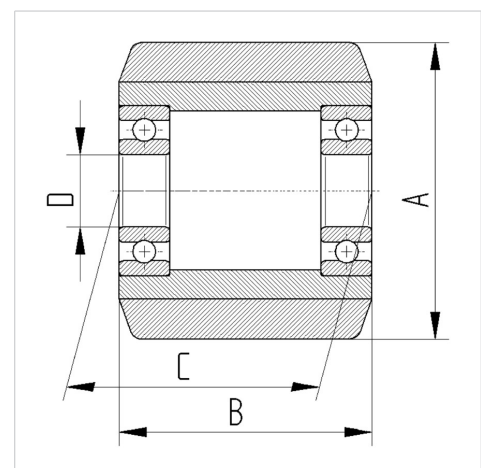
Technical Data

| | |
|-------------------------|-----------------|
| Wheel diameter | 3.15 in |
| Wheel width | 2.76 in |
| Axle Hole-Ø | 0.79 in |
| Hub length | 2.76 in |
| Temperature | + 14 / + 140 °F |
| Standard | EN 12532 |
| Weight | 2.407 lbs |
| Hardness of tread | Shore A 92 |
| Bearing | 6204 No |
| Load capacity (dynamic) | 1545 lbs |
| Load capacity (static) | 3085 lbs |

Dimensions



Structure & Mounting



Advantages at a glance

| | |
|----------------------|-----------|
| Roll performance | ● ● ● ● ○ |
| Movement noise | ● ● ● ○ ○ |
| Attrition | ● ● ● ● ○ |
| Corrosion resistance | ● ● ● ○ ○ |

NOVATECH

ETP080x70-Ø20 HL70

EAN 4031582318623



BETTER MOBILITY. BETTER LIFE.

Structure & Mounting

