

BASETECH

POI050x20-Ø6

EAN 4031582320701

Wheel center made of Polypropylene, plain bearing



BETTER MOBILITY. BETTER LIFE.

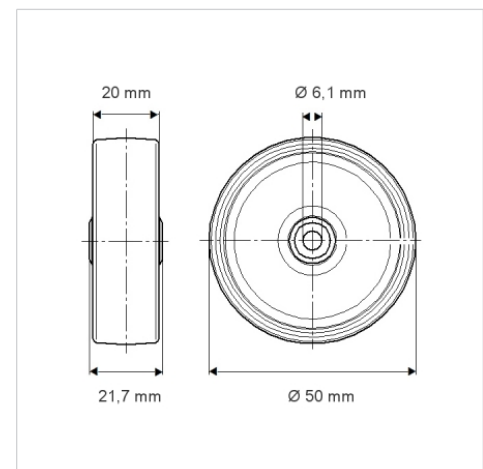


Picture may differ from original product

Technical Data

| | |
|-------------------------|----------------|
| Wheel diameter | 1.97 in |
| Wheel width | 0.79 in |
| Axle Hole-Ø | 0.24 in |
| Hub length | 0.85 in |
| Temperature | - 4 / + 140 °F |
| Standard | EN 12530 |
| Weight | 0.035 lbs |
| Hardness of tread | Shore D 65 |
| Load capacity (dynamic) | 75 lbs |
| Load capacity (static) | 155 lbs |

Dimensions



Advantages at a glance

| | |
|----------------------|-----------|
| Roll performance | ● ● ● ○ ○ |
| Movement noise | ● ● ● ○ ○ |
| Attrition | ● ● ● ● ● |
| Corrosion resistance | ● ● ● ○ ○ |