

# ALPHA

8478UOD100P62

EAN 4031582333206

Fixed caster, Fork made of Stainless Steel, wheel axle with nut, plate fitting.  
 Wheel center made of Polyamide, roller bearing made of stainless steel



BETTER MOBILITY. BETTER LIFE.

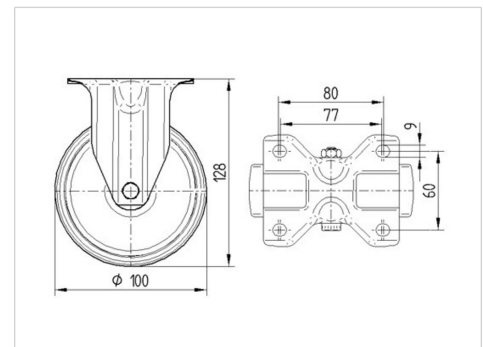


Picture may differ from original product

## Technical Data

Wheel diameter	3.94 in
Wheel width	1.42 in
Caster width	3.35 in
Plate size	3.94 x 3.35 in
Plate hole centers	3.15/3.03 x 2.36 in
Plate hole	0.35 in
Overall height	5.04 in
Temperature	- 13 / + 176 °F
Standard	EN 12532
Weight	1.078 lbs
Hardness of tread	Shore D 75
Load capacity (dynamic)	440 lbs
Load capacity (static)	880 lbs

## Dimensions



## Advantages at a glance

Roll performance	● ● ● ● ○
Movement noise	● ● ○ ○ ○
Attrition	● ● ● ● ●
Corrosion resistance	● ● ● ● ●

# ALPHA

8478UOD100P62

EAN 4031582333206



BETTER MOBILITY. BETTER LIFE.

## Structure & Mounting

