

ALPHA

8477PIO080P62

EAN 4031582381641

Swivel caster with total lock, trailing end of caster, housing made of Stainless Steel, double ball bearing swivel head, wheel axle with nut, plate fitting. Wheel center made of Polypropylene, Tread: solid rubber, grey non-marking, plain bearing



BETTER MOBILITY. BETTER LIFE.



Picture may differ from original product

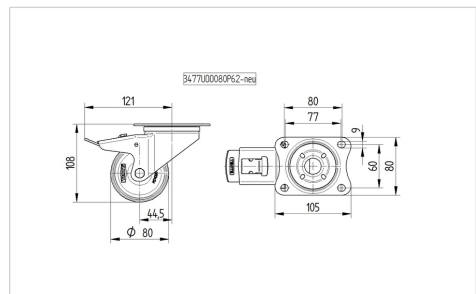
Technical Data

Wheel diameter	3.15 in
Wheel width	1.38 in
Plate size	4.13 x 3.15 in
Plate hole centers	3.15/3.03 x 2.36 in
Plate hole	0.35 in
Offset	1.75 in
Swivel Interference	9.69 in
Overall height	4.25 in
Temperature	- 4 / + 140 °F
Standard	EN 12532
Weight	1.929 lbs
Swivel Radius	4.84 in
Hardness of tread	Shore A 80
Load capacity (dynamic)	155 lbs
Load capacity (static)	310 lbs

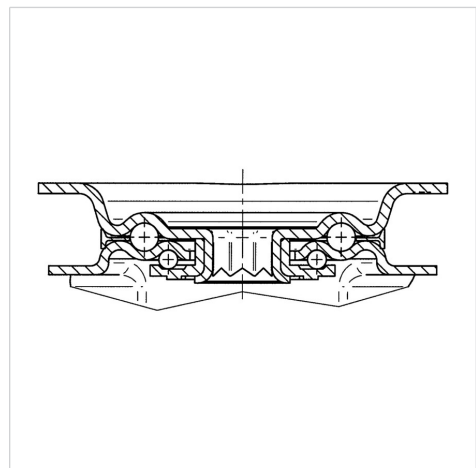
Advantages at a glance

Roll performance	● ● ● ○ ○
Movement noise	● ● ● ○ ○
Attrition	● ● ● ○ ○
Corrosion resistance	● ● ● ○ ○

Dimensions



Structure & Mounting



ALPHA

8477PIO080P62

EAN 4031582381641



BETTER MOBILITY. BETTER LIFE.

Structure & Mounting

