

DELTA

3648UAP125P63

EAN 4031582396607

Fixed caster, Fork made of heavy pressed steel, bright zinc plated, blue passivated, wheel axle with nut, plate fitting.

Wheel center made of Polyamide, Tread: Polyurethane, precision ball bearing



BETTER MOBILITY. BETTER LIFE.

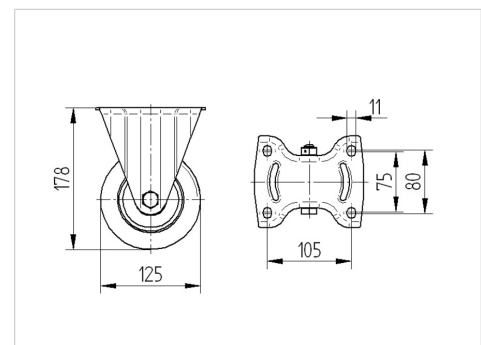


Picture may differ from original product

Technical Data

| | |
|-------------------------|---------------------|
| Wheel diameter | 4.92 in |
| Wheel width | 1.57 in |
| Plate size | 5.39 x 4.53 in |
| Plate hole centers | 4.13 x 3.15/2.95 in |
| Plate hole | 0.43 in |
| Overall height | 7.01 in |
| Temperature | - 40 / + 176 °F |
| Standard | EN 12532 |
| Hardness of tread | Shore A 92 |
| Load capacity (dynamic) | 660 lbs |
| Load capacity (static) | 1325 lbs |

Dimensions



Advantages at a glance

| | |
|----------------------|-----------|
| Roll performance | ● ● ● ○ ○ |
| Movement noise | ● ● ● ○ ○ |
| Attrition | ● ● ● ○ ○ |
| Corrosion resistance | ● ● ● ○ ○ |

DELTA

3648UAP125P63

EAN 4031582396607



BETTER MOBILITY. BETTER LIFE.

Structure & Mounting

