

AVIANA

5976UAE075P54

EAN 4031582396638

Swivel caster with central lock, housing made from high grade synthetic materials, double ball bearing swivel head, axle riveted, plate fitting. Wheel center made of Polyamide, Tread: Polyurethane, with threadguards, cone ball bearing. Wheel centre made of Polyamide, Tread: Polyurethane, with threadguards, cone ball bearing POM



BETTER MOBILITY. BETTER LIFE.

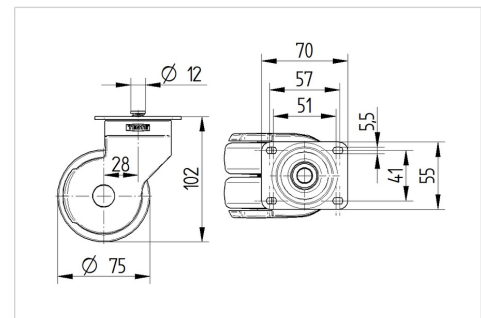


Picture may differ from original product

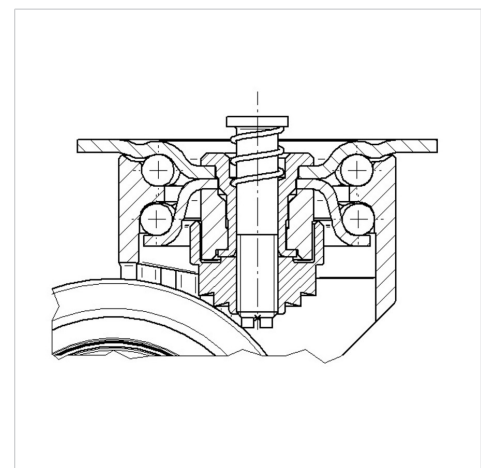
Technical Data

Wheel diameter	2.95 in
Wheel width	0.98 in
Caster width	2.72 in
Plate size	2.76 x 2.17 in
Plate hole centers	2.24/2.01 x 1.61 in
Plate hole	0.22 in
Dome-Ø	2.13 in
Offset	1.10 in
Swivel Interference	5.39 in
Overall height	4.02 in
Temperature	- 14 / + 104 °F
Standard	EN 12530
Weight	0.827 lbs
Swivel Radius	2.70 in
Hardness of tread	Shore D 42
Load capacity (dynamic)	220 lbs

Dimensions



Structure & Mounting



Advantages at a glance

Roll performance	● ● ● ○ ○
Movement noise	● ● ● ○ ○
Attrition	● ● ● ○ ○
Corrosion resistance	● ● ● ● ○

AVIANA

5976UAE075P54

EAN 4031582396638



BETTER MOBILITY. BETTER LIFE.

Structure & Mounting

