

ALPHA

3470HUR100P62 black TFR

EAN 4031582400045

Swivel caster, housing made of pressed steel, bright zinc plated, blue passivated, double ball bearing swivel head, wheel axle with nut, dustguard, plate fitting. Hybrid-wheel "SYNTECH", wheel center and tread made of Polyamide, with elastic solid rubber center, noise reduced, roller bearing



BETTER MOBILITY. BETTER LIFE.



Picture may differ from original product

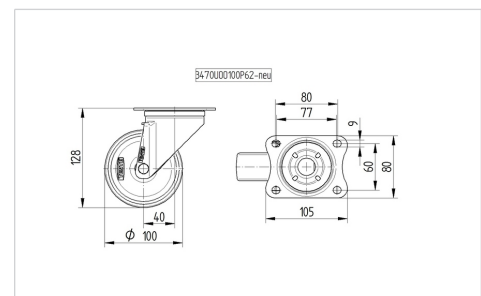
Technical Data

Wheel diameter	3.94 in
Wheel width	1.42 in
Plate size	4.13 x 3.15 in
Plate hole centers	3.15/3.03 x 2.36 in
Plate hole	0.35 in
Offset	1.81 in
Swivel Interference	7.09 in
Overall height	5.04 in
Temperature	- 4 / + 140 °F
Standard	EN 12532
Weight	2.242 lbs
Swivel Radius	3.54 in
Hardness of tread	Shore D 75
Load capacity (dynamic)	355 lbs
Load capacity (static)	705 lbs

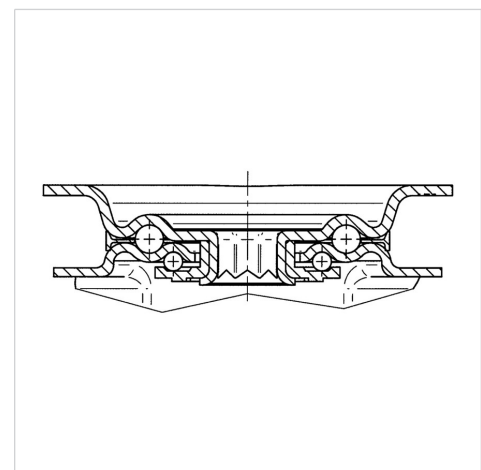
Advantages at a glance

Roll performance	● ● ● ○ ○
Movement noise	● ● ● ● ●
Attrition	● ● ● ○ ○
Corrosion resistance	● ● ● ○ ○

Dimensions



Structure & Mounting



ALPHA

3470HUR100P62 black TFR

EAN 4031582400045



BETTER MOBILITY. BETTER LIFE.

Structure & Mounting

