

# ALPHA

3370PJO080P62 TFR

EAN 4031582397765

Swivel caster, housing made of pressed steel, bright zinc plated, blue passivated, double ball bearing swivel head, wheel axle with nut, plate fitting. Wheel center made of Polypropylene, Tread: TENTEprene (thermoplastic rubber), grey non-marking, plain bearing



BETTER MOBILITY. BETTER LIFE.

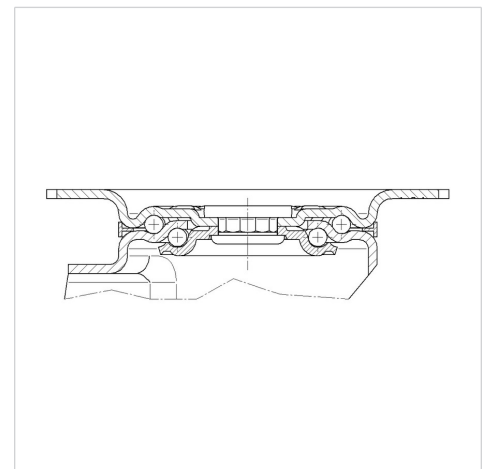


Picture may differ from original product

## Technical Data

Wheel diameter	3.15 in
Wheel width	1.10 in
Plate size	4.13 x 3.35 in
Plate hole centers	3.15/3.03 x 2.36 in
Plate hole	0.35 in
Offset	1.75 in
Swivel Interference	6.65 in
Overall height	4.25 in
Temperature	- 4 / + 140 °F
Standard	EN 12532
Weight	1.728 lbs
Swivel Radius	3.33 in
Hardness of tread	Shore A 87
Load capacity (dynamic)	155 lbs
Load capacity (static)	310 lbs

## Structure & Mounting



## Advantages at a glance

Roll performance	● ● ● ○ ○
Movement noise	● ● ● ○ ○
Attrition	● ● ● ○ ○
Corrosion resistance	● ● ● ○ ○

# ALPHA

3370PJO080P62 TFR

EAN 4031582397765



BETTER MOBILITY. BETTER LIFE.

## Structure & Mounting

