

NOVATECH

ITP200x50-Ø20 flat

EAN 4031582070330

Wheel center made of Aluminum, Tread: Polyurethane, casted, precision ball bearing



BETTER MOBILITY. BETTER LIFE.

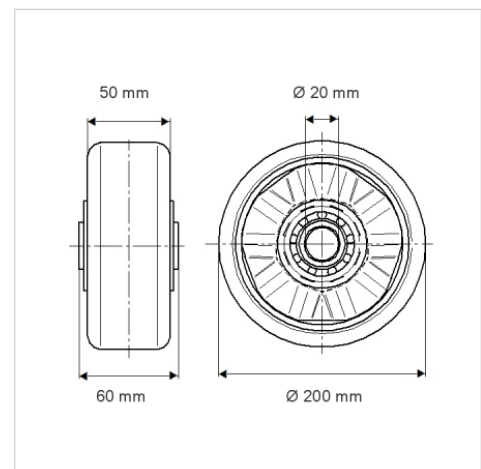


Picture may differ from original product

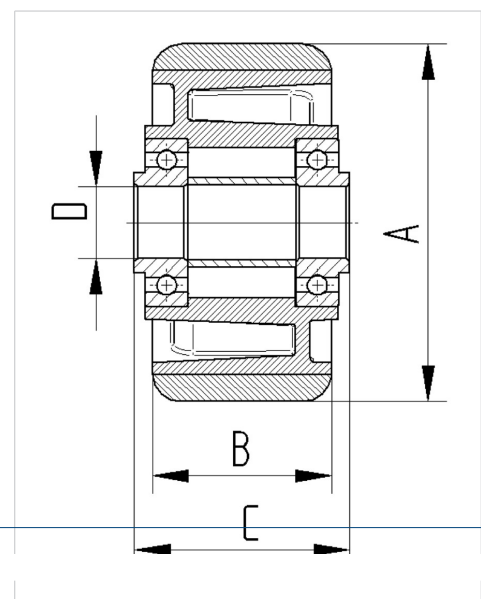
Technical Data

| | |
|-------------------------|-----------------|
| Wheel diameter | 7.87 in |
| Wheel width | 1.97 in |
| Axle Hole-Ø | 0.79 in |
| Hub length | 2.36 in |
| Temperature | + 14 / + 140 °F |
| Standard | EN 12532 |
| Weight | 2.844 lbs |
| Hardness of tread | Shore A 92 |
| Load capacity (dynamic) | 1765 lbs |
| Load capacity (static) | 3525 lbs |

Dimensions



Structure & Mounting



Advantages at a glance

| | |
|----------------------|-----------|
| Roll performance | ● ● ● ● ○ |
| Movement noise | ● ● ● ● ○ |
| Attrition | ● ● ● ● ○ |
| Corrosion resistance | ● ● ● ● ○ |