

ZETA

4681ITP160P63 SH80XL

EAN 4031582400465

Swivel caster with directional lock, housing made of very heavy pressed steel, reinforced, bright zinc plated, blue passivated, sealed swivel double ball bearing, reinforced and heat-treated ball covers, riveted king pin, wheel axle with nut and dust ring with integrated grease nipple., plate fitting. Wheel center made of Aluminum, Tread: Polyurethane, casted, precision ball bearing



BETTER MOBILITY. BETTER LIFE.

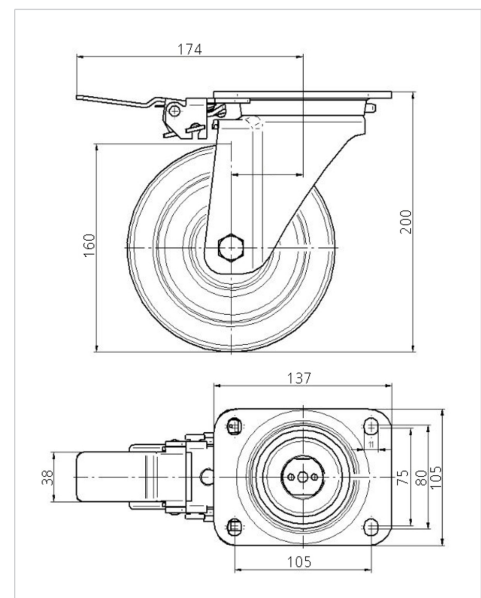


Picture may differ from original product

Technical Data

Wheel diameter	6.3 in
Wheel width	1.97 in
Plate size	5.39 x 4.13 in
Plate hole centers	4.13 x 3.15/2.95 in
Plate hole	0.43 in
Offset	2.17 in
Swivel Interference	14.17 in
Overall height	7.87 in
Temperature	-31 °F
Standard	EN 12532
Weight	7.458 lbs
Hardness of tread	Shore A 80
Load capacity (dynamic)	1215 lbs
Load capacity (static)	2425 lbs

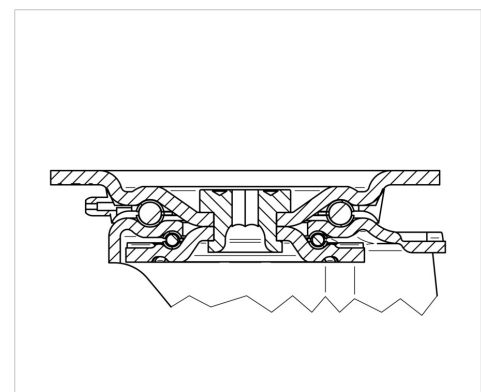
Dimensions



Advantages at a glance

Roll performance	● ● ● ● ○
Movement noise	● ● ● ● ○
Attrition	● ● ● ● ○
Corrosion resistance	● ● ● ○ ○

Structure & Mounting



ZETA

4681ITP160P63 SH80XL

EAN 4031582400465



BETTER MOBILITY. BETTER LIFE.

Structure & Mounting

