

LEVINA

5380PJC125R05-22

EAN 4031582425932

Swivel caster, housing made from high grade synthetic materials with metal parts made of Stainless Steel, double ball bearing swivel head, solid plug fitting. Wheel center made of Polypropylene, Tread: TENTEprene (thermoplastic rubber), grey non-marking, with threadguards, precision ball bearing, stainless



BETTER MOBILITY. BETTER LIFE.

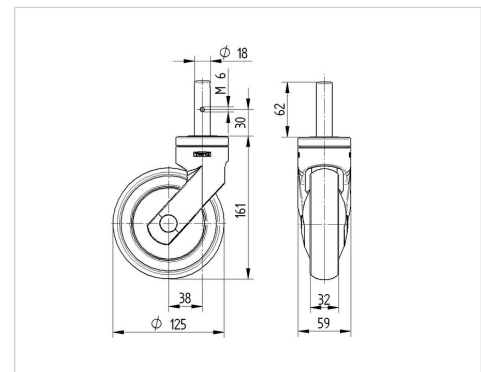


Picture may differ from original product

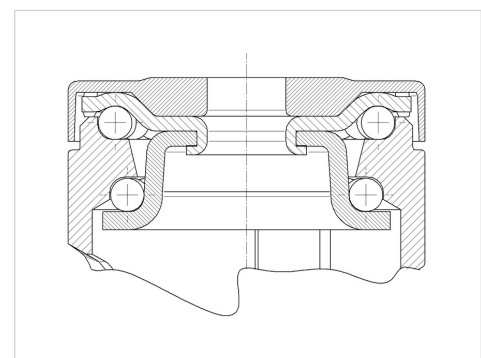
Technical Data

Wheel diameter	4.92 in
Wheel width	1.26 in
Bolt-Ø	0.87 in
Bolt length	1.77 in
Offset	1.50 in
Swivel Interference	7.91 in
Overall height	6.34 in
Temperature	- 14 / + 104 °F
Standard	EN 12530
Weight	1.662 lbs
Swivel Radius	3.96 in
Hardness of tread	Shore A 87
Load capacity (dynamic)	220 lbs
Load capacity (static)	440 lbs

Dimensions



Structure & Mounting



Advantages at a glance

Roll performance	● ● ● ○ ○
Movement noise	● ● ● ● ○
Attrition	● ● ● ○ ○
Corrosion resistance	● ● ● ● ●

PRODUCT INFORMATION

LEVINA

5380PJC125R05-22

EAN 4031582425932



BETTER MOBILITY. BETTER LIFE.

Structure & Mounting

