

DURATECH

TOO125x50-Ø15

EAN 4031582322507

Wheel center made of Polyamide, heavy duty, plain bearing



BETTER MOBILITY. BETTER LIFE.

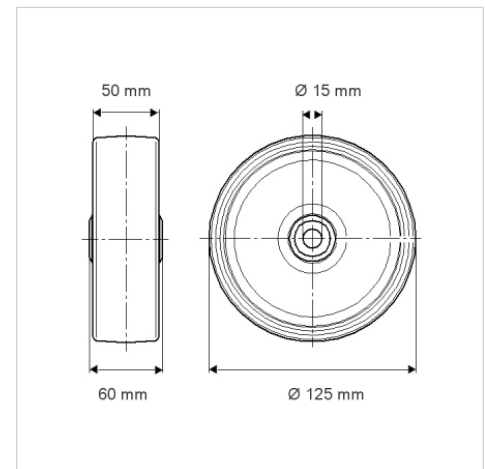


Picture may differ from original product

Technical Data

Wheel diameter	4.92 in
Wheel width	1.97 in
Axle Hole-Ø	0.59 in
Hub length	2.36 in
Temperature	- 40 / + 176 °F
Standard	EN 12533
Weight	1.182 lbs
Hardness of tread	Shore D 75
Load capacity (dynamic)	1545 lbs
Load capacity (static)	3085 lbs

Dimensions



Advantages at a glance

Roll performance	● ● ● ○ ○
Movement noise	● ● ● ○ ○
Attrition	● ● ● ● ●
Corrosion resistance	● ● ● ○ ○

Structure & Mounting

