

# STYLEA

5925UOI075L51-10 DOM20

EAN 4031582311242

Swivel castor with wheel brake, housing made of Polyamide, with blind hole fitting. Wheel centre made of Polyamide, plain bearing



BETTER MOBILITY. BETTER LIFE.

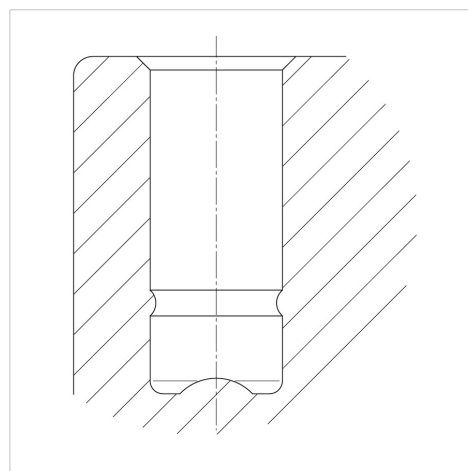


Picture may differ from original product

## Technical Data

Wheel diameter	75 mm
Wheel width	8 mm
Castor width	54 mm
Centre hole	10 mm
Dome-Ø	20 mm
Offset	30 mm
Swivel Interference	174 mm
Overall height	77 mm
Temperature	- 20 / + 60 °C
Standard	EN_12528
Weight	0.128 kg
Swivel Radius	87 mm
Hardness of tread	Shore D 65
Load capacity	50 kg
Load capacity (static)	100 kg

## Structure & Mounting



## Advantages at a glance

Roll performance	● ● ● ○ ○
Movement noise	● ● ● ○ ○
Attrition	● ● ● ● ●
Corrosion resistance	● ● ● ● ○