

LEVINA

5370PJP125P30-11

EAN 4031582324594

Swivel castor, housing and wheels made from high grade synthetic materials, double ball bearing swivel head, bolt hole. Wheel centre made of Polypropylene, Tread: TENTEprene (thermoplastic rubber), grey non-marking, precision ball bearing



BETTER MOBILITY. BETTER LIFE.



Picture may differ from original product

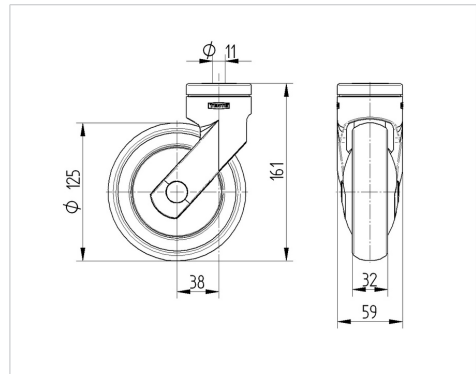
Technical Data

| | |
|------------------------|----------------|
| Wheel diameter | 125 mm |
| Wheel width | 32 mm |
| Castor width | 59 mm |
| Centre hole | 11 mm |
| Dome-Ø | 59 mm |
| Offset | 38 mm |
| Swivel Interference | 201 mm |
| Overall height | 161 mm |
| Temperature | - 10 / + 40 °C |
| Standard | EN_12530 |
| Weight | 0.531 kg |
| Swivel Radius | 100.5 mm |
| Hardness of tread | Shore A 83 |
| Load capacity | 100 kg |
| Load capacity (static) | 200 kg |

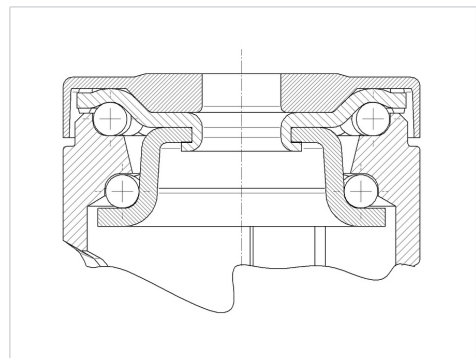
Advantages at a glance

| | |
|----------------------|-----------|
| Roll performance | ● ● ● ○ ○ |
| Movement noise | ● ● ● ● ○ |
| Attrition | ● ● ● ○ ○ |
| Corrosion resistance | ● ● ● ● ○ |

Dimensions



Structure & Mounting



PRODUCT INFORMATION

LEVINA

5370PJP125P30-11

EAN 4031582324594



BETTER MOBILITY. BETTER LIFE.

Structure & Mounting

