

ZETA

4681UOO200P63 WT46

EAN 4031582308068

Swivel castor with directional lock, housing made of very heavy pressed steel, reinforced, bright zinc plated, blue passivated, sealed swivel double ball bearing, reinforced and heat-treated ball covers, riveted king pin, dust ring with integrated grease nipple, wheel axle with nut, plate fitting. Wheel centre made of Polyamide, plain bearing



BETTER MOBILITY. BETTER LIFE.



Picture may differ from original product

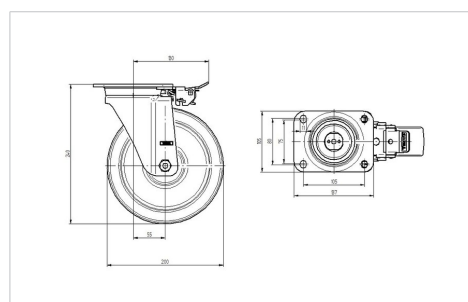
Technical Data

Wheel diameter	200 mm
Wheel width	46 mm
Size of Plate	137 x 105 mm
Plate hole centres	105 x 80/75 mm
Plate hole	11 mm
Offset	55 mm
Swivel Interference	230 mm
Overall height	240 mm
Temperature	- 40 / + 80 °C
Standard	EN_12532
Weight	2.863 kg
Hardness of tread	Shore D 75
Load capacity	600 kg
Load capacity (static)	1200 kg

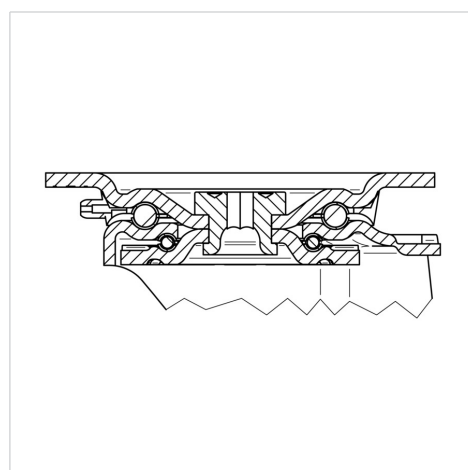
Advantages at a glance

Roll performance	● ● ● ○ ○
Movement noise	● ○ ○ ○ ○
Attrition	● ● ● ● ●
Corrosion resistance	● ● ● ○ ○

Dimensions



Structure & Mounting



ZETA

4681UOO200P63 WT46

EAN 4031582308068



BETTER MOBILITY. BETTER LIFE.

Structure & Mounting

