

OMIKRON TWIN

9958STP500P68

EAN 4031582317039

Fixed castor, Fork and plate steel welded, zinc plated, blue passivated, wheel axle with nut, plate fitting.

Wheel centre made of pressed steel, lacquered, heavy duty, Tread: Polyurethane, casted, precision ball bearing



BETTER MOBILITY. BETTER LIFE.

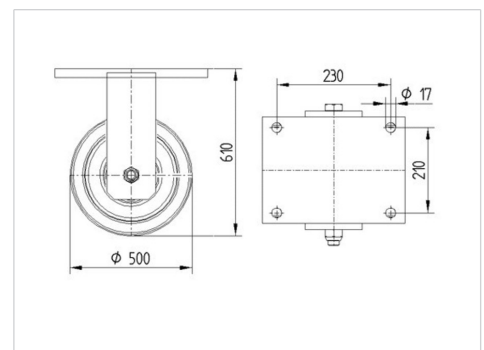


Picture may differ from original product

Technical Data

| | |
|------------------------|----------------|
| Wheel diameter | 500 mm |
| Wheel width | 80 mm |
| Castor width | 285 mm |
| Size of Plate | 270 x 250 mm |
| Plate hole centres | 230 x 210 mm |
| Plate hole | 17 mm |
| Dome-Ø | 235 mm |
| Overall height | 610 mm |
| Temperature | - 10 / + 60 °C |
| Standard | EN_12533 |
| Weight | 103.432 kg |
| Hardness of tread | Shore A 92 |
| Load capacity | 7200 kg |
| Load capacity (static) | 14400 kg |

Dimensions



Advantages at a glance

| | |
|----------------------|-----------|
| Roll performance | ● ● ● ○ ○ |
| Movement noise | ● ● ● ○ ○ |
| Attrition | ● ● ● ● ○ |
| Corrosion resistance | ● ● ● ○ ○ |

OMIKRON TWIN

9958STP500P68

EAN 4031582317039



BETTER MOBILITY. BETTER LIFE.

Structure & Mounting

