

DELTA TWIN

9940ETP065P41-100x100

EAN 4031582501162

Swivel castor, housing made of heavy pressed steel, bright zinc plated, blue passivated, precision ball bearing swivel head, sealed, wheel axle with nut, plate fitting. Wheel centre made of steel, Tread: Polyurethane, casted, precision ball bearing.



BETTER MOBILITY. BETTER LIFE.



Picture may differ from original product

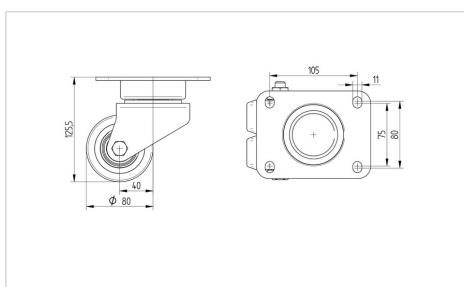
Technical Data

Wheel diameter	65 mm
Wheel width	30 mm
Castor width	92 mm
Size of Plate	100 x 100,0 mm
Plate hole centres	105 x 78 mm
Plate hole	10,5 mm
Dome-Ø	73 mm
Offset	25 mm
Swivel Interference	128 mm
Overall height	111.5 mm
Temperature	- 30 / + 60 °C
Standard	EN_12532
Weight	1.932 kg
Swivel Radius	64 mm
Hardness of tread	Shore A 92
Load capacity	400 kg
Load capacity (static)	800 kg

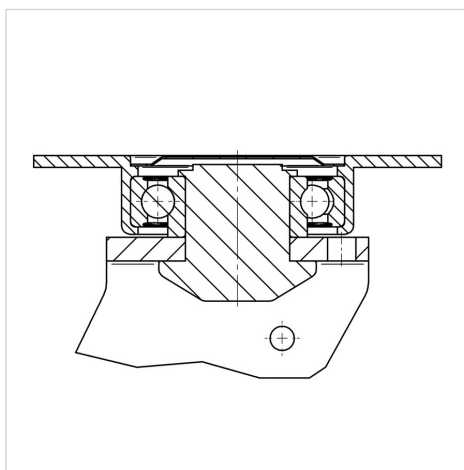
Advantages at a glance

Roll performance	● ● ● ○ ○
Movement noise	● ● ● ○ ○
Attrition	● ● ● ● ○
Corrosion resistance	● ● ● ○ ○

Dimensions



Structure & Mounting



DELTA TWIN

9940ETP065P41-100x100

EAN 4031582501162



BETTER MOBILITY. BETTER LIFE.

Structure & Mounting

