

# DELTA

## 3648ITP125P63 SH80

EAN 4031582337471

Fixed castor, Fork made of heavy pressed steel, bright zinc plated, blue passivated, wheel axle with nut, plate fitting.  
Wheel centre made of Aluminium, Tread: Polyurethane, casted, precision ball bearing



BETTER MOBILITY. BETTER LIFE.

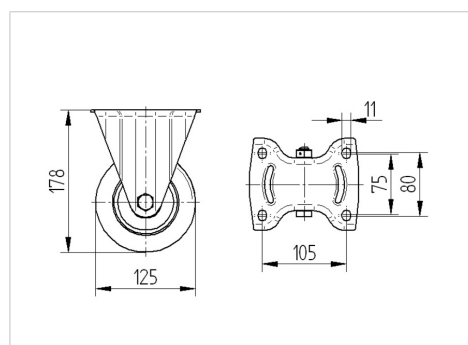


Picture may differ from original product

### Technical Data

Wheel diameter	125 mm
Wheel width	50 mm
Castor width	115 mm
Size of Plate	137 x 115,0 mm
Plate hole centres	105 x 80/75 mm
Plate hole	11 mm
Dome-Ø	115 mm
Overall height	178 mm
Temperature	- 10 / + 60 °C
Standard	EN_12532
Weight	1.801 kg
Hardness of tread	Shore A 80
Load capacity	400 kg
Load capacity (static)	800 kg

### Dimensions



### Advantages at a glance

Roll performance	● ● ● ○ ○
Movement noise	● ● ● ○ ○
Attrition	● ● ● ● ○
Corrosion resistance	● ● ● ○ ○

# DELTA

3648ITP125P63 SH80

EAN 4031582337471



BETTER MOBILITY. BETTER LIFE.

## Structure & Mounting

