

LINEA

5940UAP100P50 RAL9002

EAN 4031582349467

Swivel castor, housing made of Polyamide, precision ball bearing in swivel head, plate fitting. Wheel centre made of Polyamide, Tread: Polyurethane, precision ball bearing



BETTER MOBILITY. BETTER LIFE.



Picture may differ from original product

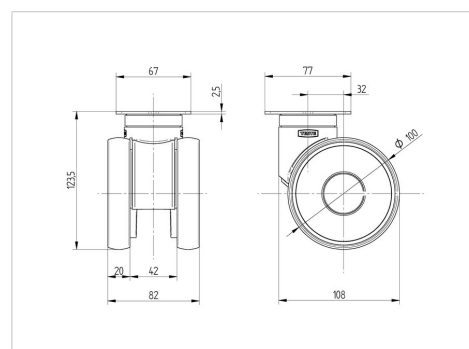
Technical Data

Wheel diameter	100 mm
Wheel width	20 mm
Castor width	82 mm
Size of Plate	77 x 67,0 mm
Plate hole centres	61,5/56 x 51,5/46,5 mm
Plate hole	8,5 mm
Dome-Ø	52 mm
Offset	32 mm
Swivel Interference	180 mm
Overall height	121 mm
Temperature	- 10 / + 40 °C
Standard	EN_12530
Weight	0.733 kg
Swivel Radius	90 mm
Hardness of tread	Shore A 92
Load capacity	120 kg
Load capacity (static)	240 kg

Advantages at a glance

Roll performance	● ● ● ● ●
Movement noise	● ● ● ○ ○
Attrition	● ● ● ● ○
Corrosion resistance	● ● ● ● ○

Dimensions



Structure & Mounting

