

# ELASTECH

UFP125x40-Ø8

EAN 4031582323344

Wheel centre made of Polyamide, Tread: elastic-tyre, non-marking, precision ball bearing



BETTER MOBILITY. BETTER LIFE.

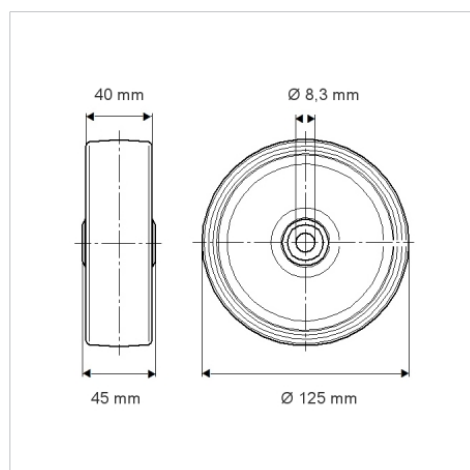


Picture may differ from original product

## Technical Data

Wheel diameter	125 mm
Wheel width	40 mm
Axle Hole-Ø	8.3 mm
Hub length	45 mm
Temperature	- 20 / + 80 °C
Standard	EN_12532
Weight	0.48 kg
Hardness of tread	Shore A 63
Load capacity	250 kg
Load capacity (static)	500 kg

## Dimensions



## Advantages at a glance

Roll performance	● ● ● ○ ○
Movement noise	● ● ● ● ●
Attrition	● ● ● ○ ○
Corrosion resistance	● ● ● ○ ○