

GALEA

5070PIO125P51

EAN 4031582399554

Swivel castor, housing made of Polyamide, double ball bearing swivel head, plate fitting. Wheel centre made of Polypropylene, Tread: solid rubber, grey non-marking, plain bearing



BETTER MOBILITY. BETTER LIFE.



Picture may differ from original product

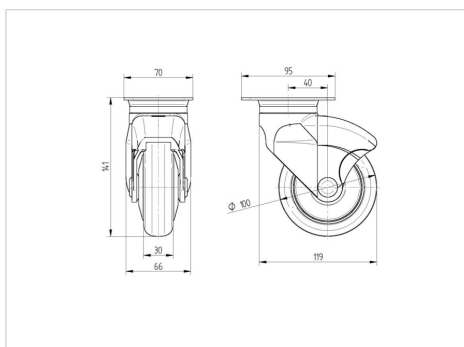
Technical Data

Wheel diameter	125 mm
Wheel width	32 mm
Castor width	66 mm
Size of Plate	95 x 70 mm
Plate hole centres	75 x 50 mm
Plate hole	11 mm
Dome-Ø	59 mm
Offset	40 mm
Swivel Interference	205 mm
Overall height	163 mm
Temperature	-20 / +60 °C
Standard	EN_12530
Weight	0.502 kg
Swivel Radius	102.5 mm
Hardness of tread	Shore A 87
Load capacity	80 kg
Load capacity (static)	160 kg

Advantages at a glance

Roll performance	● ● ● ● ○
Movement noise	● ● ● ● ○
Attrition	● ● ● ● ○
Corrosion resistance	● ● ● ○ ○

Dimensions



Structure & Mounting

