

GALEA

5077YGH125P51

EAN 4031582399707

Swivel castor with total lock, tail end of castor, housing made of Polyamide, double ball bearing swivel head, plate fitting. Wheel centre made of Polypropylene, electric conductive, Tread: TENTEprene (thermoplastic rubber), electric conductive, grey non-marking, with threadguards, plain bearing
Hint: These castors are also with grey locking lever available.



BETTER MOBILITY. BETTER LIFE.



Picture may differ from original product

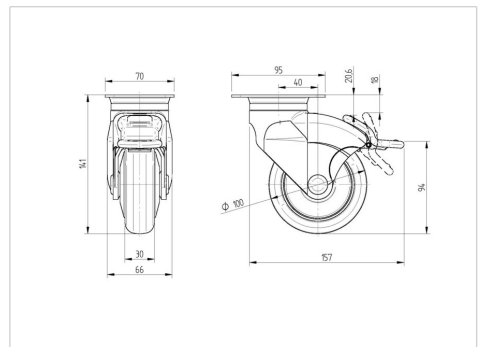
Technical Data

Wheel diameter	125 mm
Wheel width	30 mm
Castor width	66 mm
Size of Plate	95 x 70 mm
Plate hole centres	75 x 50 mm
Plate hole	11 mm
Dome-Ø	59 mm
Offset	40 mm
Swivel Interference	256 mm
Overall height	163 mm
Temperature	-20 / +60 °C
Standard	EN_12530
Weight	0.524 kg
Swivel Radius	128 mm
Hardness of tread	Shore A 87
Load capacity	100 kg
Load capacity (static)	200 kg

Advantages at a glance

Roll performance	● ● ● ○ ○
Movement noise	● ● ● ○ ○
Attrition	● ● ● ● ○
Corrosion resistance	● ● ● ○ ○

Dimensions



Structure & Mounting

