

SCOUT

814WQSC200P60 180°

EAN 4031582453805

Swivel castor, stainless steel housing with wheel brake and automatic directional stability, precision ball bearing in swivel bearing with long-life grease, swivel bearing with dust protection and grease nipple, wheel brake according to ball-pen principle, plate fitting Swivel castor with automatic directional stability and wheel brake, プレートによる取付け。 Wheel centre and tread made of injected polyurethane, electrical conductive, thread guard, two INOX precision ball bearings, sealed, washable

TENTE

BETTER MOBILITY. BETTER LIFE.



Picture may differ from original product

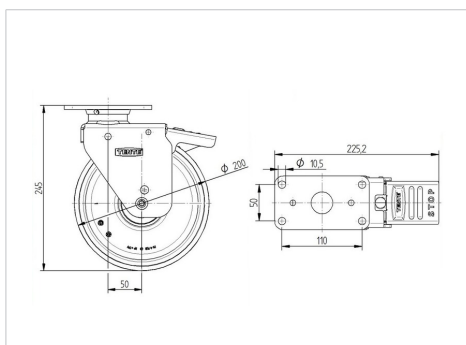
技術データ

ホイール径	200 mm
ホイール幅	40 mm
キャスターの幅	74 mm
プレートサイズ	130 x 74 mm
プレート穴位置	110 x 50 mm
プレート穴径	10,5 mm
取付台座直径	68 mm
オフセット	50 mm
旋回径	325 mm
取付高	245 mm
耐熱温度	- 20 / + 80 摂氏
規格	similar_EN12532
重さ	3.359 kg
旋回半径	162,5 mm
タイヤの硬さ	shore A 85
耐荷重	350 kg
静荷重	700 kg

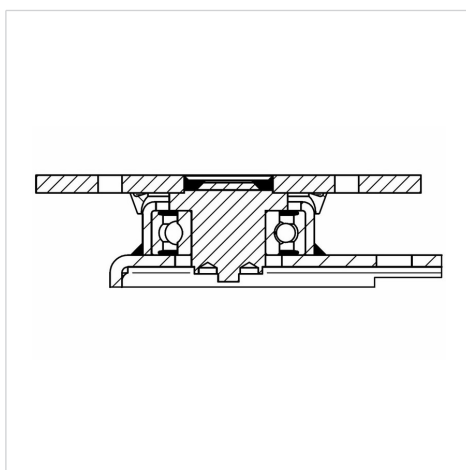
Advantages at a glance

回転抵抗	● ● ● ● ○
動作ノイズ	● ● ● ○ ○
摩擦	● ● ● ● ○
さび止め	● ● ● ○ ○

Dimensions



Structure & Mounting



SCOUT

814WQSC200P60 180°

EAN 4031582453805



BETTER MOBILITY. BETTER LIFE.

Structure & Mounting

