

SCOUT

814WQSC200P60 180°

EAN 4031582453805

Swivel castor, stainless steel housing with wheel brake and automatic directional stability, precision ball bearing in swivel bearing with long-life grease, swivel bearing with dust protection and grease nipple, wheel brake according to ball-pen principle, plate fitting Swivel castor with automatic directional stability and wheel brake, platformas stiprinājums. Wheel centre and tread made of injected polyurethane, electrical conductive, thread guard, two INOX precision ball bearings, sealed, washable



BETTER MOBILITY. BETTER LIFE.



Picture may differ from original product

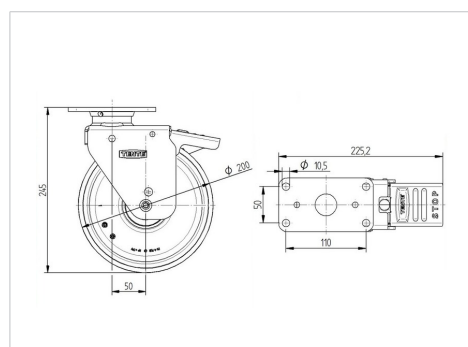
Tehniskie dati

| | |
|----------------------------|-----------------|
| Riteņa diametrs | 200 mm |
| Riteņa platums | 40 mm |
| Atbalsta riteņa platums | 74 mm |
| Platformas izmērs | 130 x 74 mm |
| Platformas caurumu centri | 110 x 50 mm |
| Platformas caurums | 10,5 mm |
| Kupola diametrs | 68 mm |
| Nobīde no centrālās ass | 50 mm |
| Griešanās rādiuss | 325 mm |
| Kopējais augstums | 245 mm |
| Temperatūra | - 20 / + 80 °C |
| Standarts | similar_EN12532 |
| Svars | 3.359 kg |
| Griešanās rādiuss | 162.5 mm |
| Kontaktslāņa cietība | Shore A 85 |
| Krāvēsība - kustībā | 350 kg |
| Krāvēsība - miera stāvoklī | 700 kg |

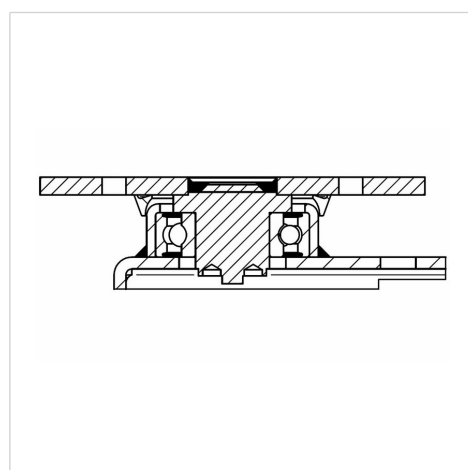
Advantages at a glance

| | |
|-----------------------|-----------|
| Riteņa izturība | ● ● ● ● ○ |
| Kustības troksnis | ● ● ● ○ ○ |
| Berze | ● ● ● ● ○ |
| Rūsēšanas aizsardzība | ● ● ● ○ ○ |

Dimensions



Structure & Mounting



SCOUT

814WQSC200P60 180°

EAN 4031582453805



BETTER MOBILITY. BETTER LIFE.

Structure & Mounting

