

SCOUT

814SUFC200P60 180°

EAN 4031582428797

Swivel castor, stainless steel housing and automatic directional stability, precision ball bearing in swivel bearing with long-term grease, swivel bearing with dust protection and grease nipple, plate fitting, prepared for optional directional lock. Svingbart hjul med fjærbelastet retningslås, Platefeste. Wheel centre made of polyamide, tread made of a non-marking elastic tyre, with small thread guard, two INOX precision ball bearings, sealed, washable



BETTER MOBILITY. BETTER LIFE.



Illustrasjonen kan avvike fra originalen

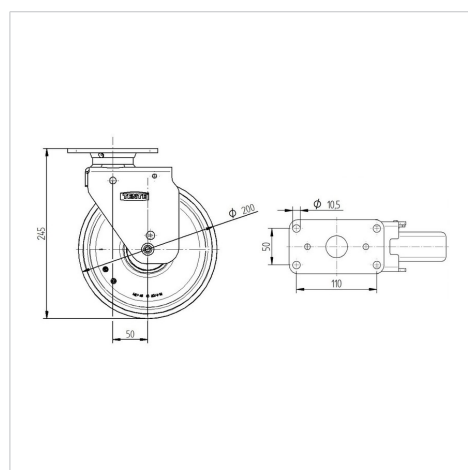
Tekniske data

Hjul diameter	200 mm
Hjulbredde	46 mm
Hjulbredde	74 mm
Platestørrelse	130 x 74 mm
Festehull avstand	110 x 50 mm
Festehull	10,5 mm
Dom-Ø	68 mm
Utbygg	50 mm
Svingdiameter	300 mm
Byggehøyde	245 mm
Temperatur	- 20 / + 80 °C
Standard	similar_EN12532
Vekt	3.262 kg
Svingradie	150 mm
Hjulbane hardhet	Shore A 64
Lastkapasitet	250 kg
Statisk belastning	500 kg

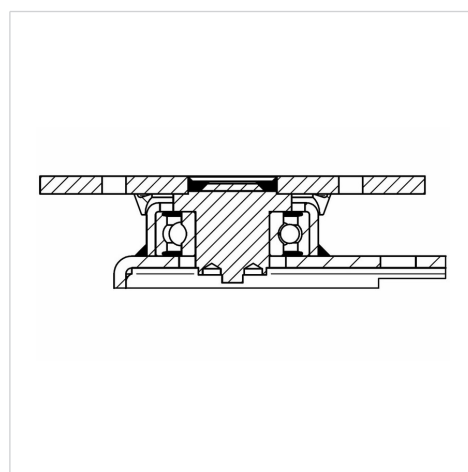
Funksjoner

Rulle motstand	● ● ● ● ○
Kjørestøy	● ● ● ● ●
Slitasje	● ● ● ○ ○
Rust skydd	● ● ● ● ●

Dimensjoner



Structure & Mounting



SCOUT

814SUFC200P60 180°

EAN 4031582428797



BETTER MOBILITY. BETTER LIFE.

Structure & Mounting

