

SCOUT

814WUAC200P60 180° smart

EAN 4031582429930

Swivel castor, stainless steel housing with wheel brake and automatic directional stability, precision ball bearing in swivel bearing with long-life grease, swivel bearing with dust protection and grease nipple, wheel brake according to ball-pen principle, plate fitting Swivel castor with automatic directional stability and wheel brake, Platefeste. Wheel centre made of polyamide, tread made of polyurethane, two INOX precision ball bearings, sealed, washable



BETTER MOBILITY. BETTER LIFE.

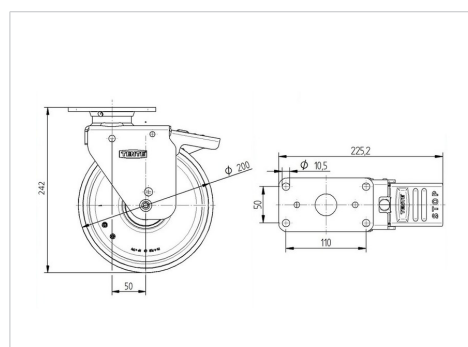


Illustrasjonen kan avvike fra originalen

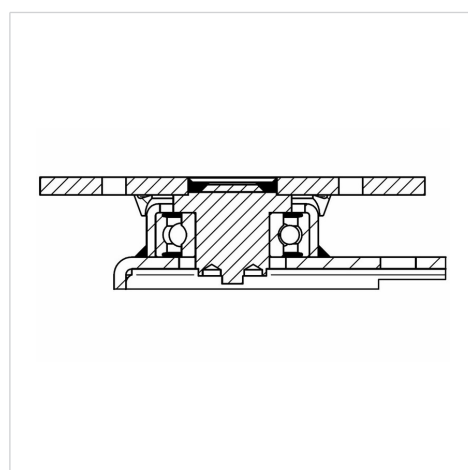
Tekniske data

Hjul diameter	200 mm
Hjulbredde	40 mm
Hjulbredde	72 mm
Platestørrelse	130 x 74 mm
Festehull avstand	110 x 50 mm
Festehull	10,5 mm
Dom-Ø	66 mm
Utbygg	50 mm
Svingdiameter	325 mm
Byggehøyde	242 mm
Temperatur	- 40 / + 80 °C
Standard	similar_EN12532
Vekt	2.872 kg
Svingradie	162.5 mm
Hjulbane hardhet	Shore A 92
Lastkapasitet	150 kg
Statisk belastning	300 kg

Dimensjoner



Structure & Mounting



Funksjoner

Rulle motstand	● ● ● ○ ○
Kjørestøy	● ● ● ○ ○
Slitasje	● ● ● ● ○
Rust skydd	● ● ● ○ ○

SCOUT

814WUAC200P60 180° smart

EAN 4031582429930



BETTER MOBILITY. BETTER LIFE.

Structure & Mounting

