

# LEVINA LIGHT

5220PJP075S70-1/2-13x1

EAN 4031582492552

Obrtni točkić, Housing made of glass-filled Polyamide, narezan vijak sa hexagonalnim vratom. Telo tocka od polipropilena, Omotac: TENTEprene (termoplasticna guma), siva - ne ostavlja trag , precizni kuglicni lezaj



BETTER MOBILITY. BETTER LIFE.



Picture may differ from original product

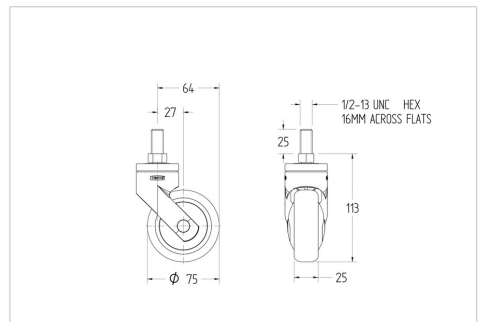
## Tehnicki podaci

|                      |                |
|----------------------|----------------|
| Precnik tocka.       | 75 mm          |
| Sirina gazista.      | 25 mm          |
| Navijeno vreteno.    | 1/2-13x1 mm    |
| Dislokacija          | 27 mm          |
| Otpor okretanju.     | 129 mm         |
| Sveukupna visina.    | 113 mm         |
| Temperatura          | - 10 / + 40 °C |
| Standard             | EN_12530       |
| Tezina               | 0.218 kg       |
| Tvrdoca omotaca      | Shore A 87     |
| Dinamicka nosivost.  | 75 kg          |
| Suitable wheel sizes | 100 mm         |

## Advantages at a glance

|                     |           |
|---------------------|-----------|
| Otpor okretanju     | ● ● ● ○ ○ |
| Buka pri okretanju  | ● ● ● ● ○ |
| trenje , habanje    | ● ● ● ○ ○ |
| zastita od korozije | ● ● ● ● ○ |

## Dimensions



## Structure & Mounting

